

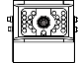

Splitter for camera signal:
Y-splitter so both monitors
operate independently of
each other

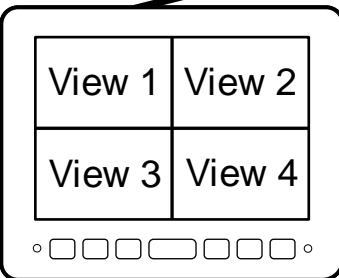
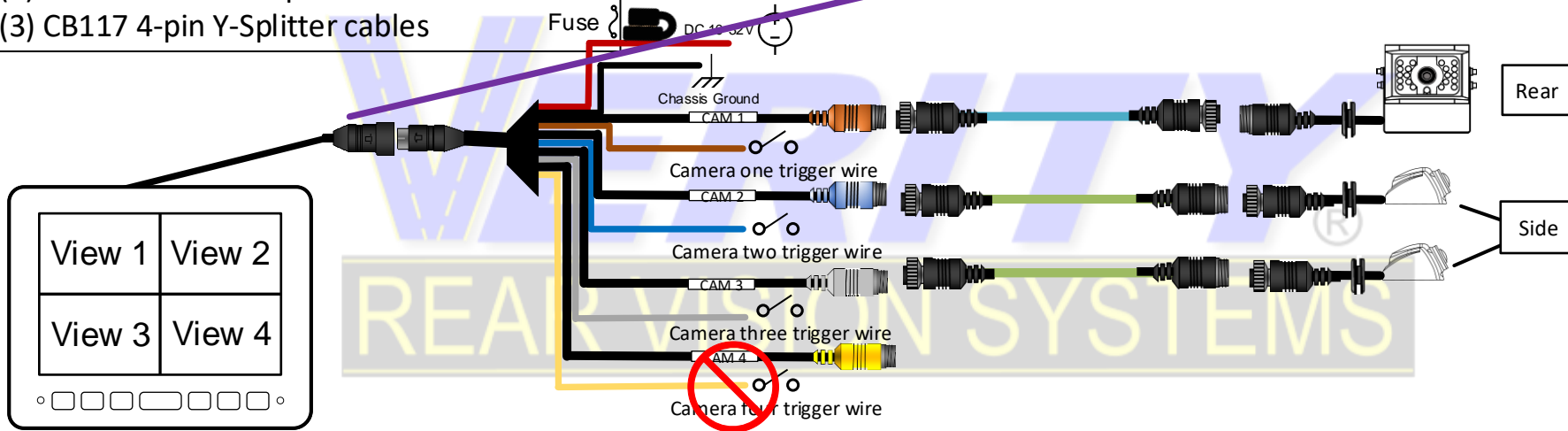
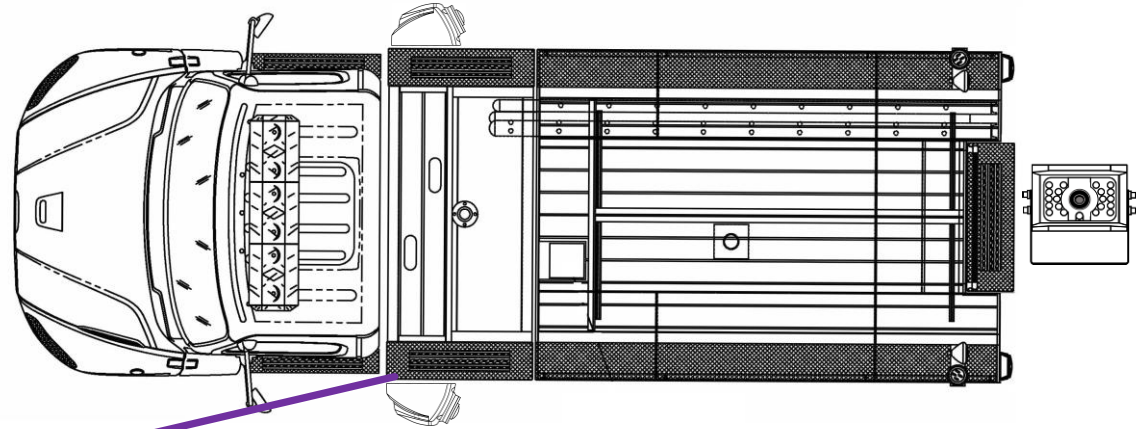
CB101 4 -pin to BNC



CB005 5m. Extension
To Head Unit CB117 Splitter Cable
To SM07F

Required components for installation:

- (1) SM07F 7" "F" series QUAD system which includes:
 - (1) MK07F 7" monitor with harness
 - (1) CB021 Female/Female 20m-65ft Camera Cable
 - (1) C075F Camera 
- (2) C115 side cameras 
- (2) CB010 10m-33ft Male/Female Camera Cable
Tie into Head unit - see above
- (3) CB101 4-pin to BNC
- (3) CB005 5m. From splitter to head unit
- (3) CB117 4-pin Y-Splitter cables



REAR VISION SYSTEMS