



**"J" series Layout
5" & 7" Systems**

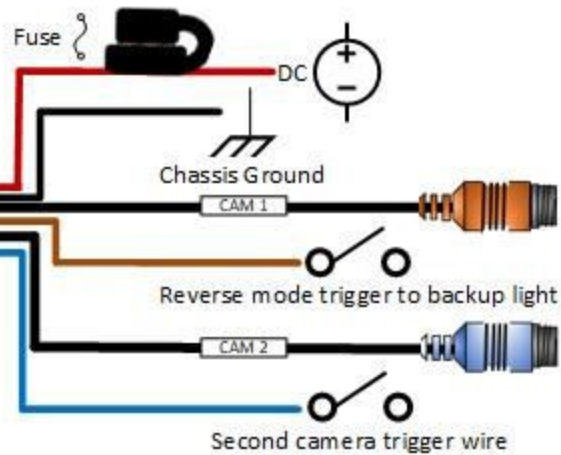
Description: 5" and 7" "J" Series Base System Includes: Monitor, one night vision camera with audio, 65' camera cable, new heavy duty mount, remote, and manual.



Optional: ADD100Z Cast Aluminum Camera Cover protects the camera and prevents theft.

5" Monitor kit
Part Number MK05J

7" Monitor kit
Part Number MK07J



Camera Extension Cable
20 m. – 65 ft. female to female
camera cable part # CB021



Includes our ADD25F Heavy Duty Mount



Verity Camera
Part Number VTY C001J

Wire Connection Key with waterproof 4-pin camera connectors

Red wire to Ignition hot (+) 10-24v. DC (waterproof fuse?) DC ⊕

Black wire to GND. (-) ⊕

Brown trigger for camera 1 / **Brown 4-pin (Cam 1)** - Camera 1 Rear ⊕

Blue trigger for camera 2 / **Blue 4-pin (Cam 2)** - Optional Camera ⊕

NOTICE

Diagram is for reference purpose only
Subject to change without notice. Not to Scale

www.verityrvs.com
All rights reserved.

9 18 rev 3

**Systems SM05J and SM07J
"J" Series Systems**