



Standard Tractor Trailer Installation

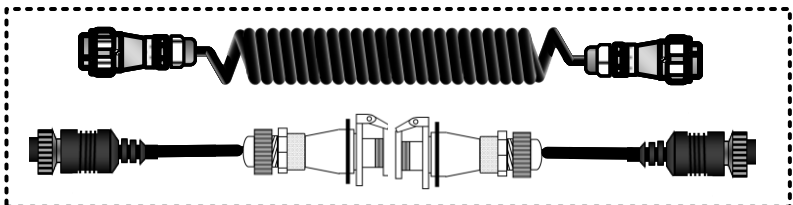
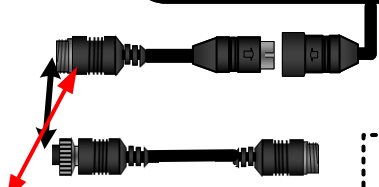
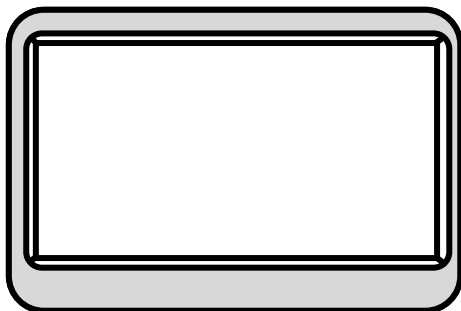
1 Standard System; SM05C, SM07C

Includes:

- 1) monitor, monitor cable
- 1) monitor mount
- 1) 20 m. camera cable used in trailer
- 1) rear camera for the trailer

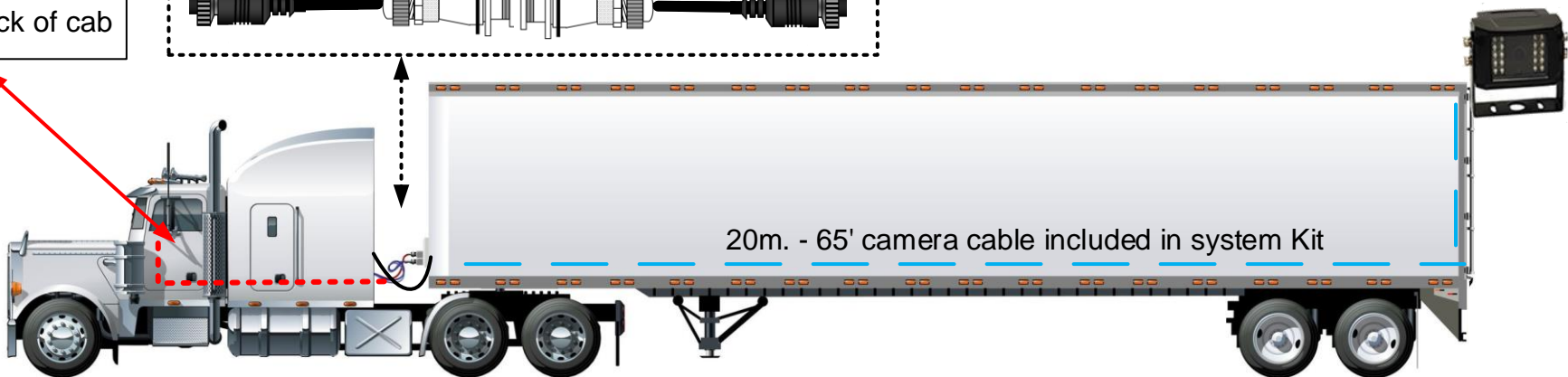
1 CBK202 Coil Cable Kit: 2 sockets and 1 16' coil cable

1 CB007 5m. 15' 13-pin M>F 5m Camera cable (monitor extension for semis) from monitor to back of cab to make all connections in rear of tractor.



CB007 5m. 15' camera cable from monitor to back of cab

CBK202 Coil Cable Kit from cab to trailer



20m. - 65' camera cable included in system Kit