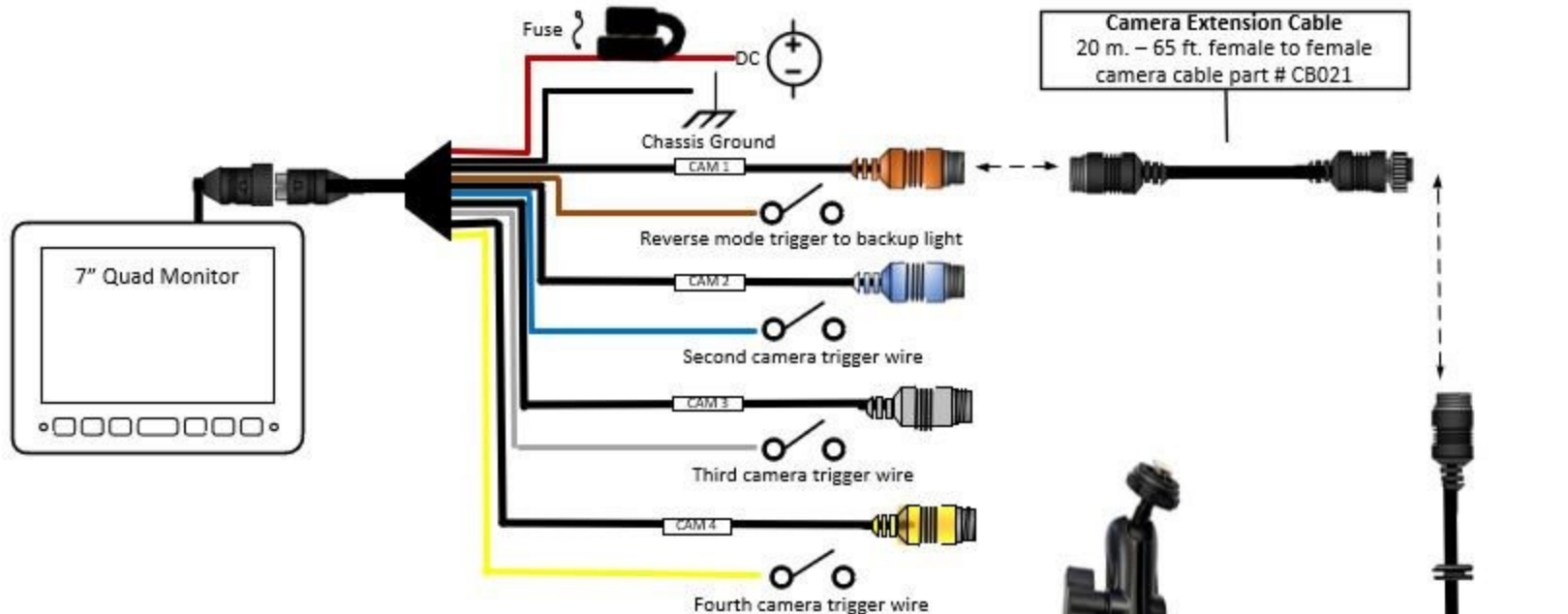




"J" Quad series Layout

Description: 7" Quad "J" Series Base System Includes: Monitor, one night vision camera with audio, 65' camera cable, new heavy duty mount, remote, and manual.



Wire Connection Key with waterproof 4-pin camera connectors

- Red wire to Ignition hot (+) 10-24v. DC (waterproof fuse ) DC ⊕
- Black wire to GND. (-) ⊖
- Brown trigger for camera 1 / Brown 4-pin (Cam 1) -Camera 1 Rear
- Blue trigger for camera 2 / Blue 4-pin (Cam 2) – Optional Camera
- White trigger for camera 3 / White 4-pin (Cam 3) – Optional Camera
- Yellow trigger for camera 2 / Yellow 4-pin (Cam 4) – Optional Camera

www.verityrvs.com  
All rights reserved.

**NOTICE**  
Diagram is for reference purpose only  
Subject to change without notice. Not to Scale

Drawing by:  
Bill Verity 18 rev 3

**Systems SMQ7J**  
**"J" Series Systems**